



## Features

- Multi-operating system interface
- Multi- card format support
- Multi-reader technology support
- AES 256 bit data encryption
- HSPD-12/FIPS201 Compliant
- UL 294 and UL 294B Recognized
- Alarm keypad support
- Function key support
- Biometric template support

## Benefits

- Connects to a Windows or Linux host for increased programming flexibility
- Supports a range of wired and wireless reader technologies
- Securely scales from one to 17 doors/ openings
- PoE enabled for full support of device and door peripherals

The EP1501 is an edge-capable intelligent controller that is expandable up to 8 downstream SIO controllers and up to 16 MR51e network ready door controllers (for a total of 17 doors/openings).

Built on the Authentic Mercury platform, the feature-rich EP1501 provides OEMs with a small footprint, cost-effective dual card reader panel for controlling a single opening. Easy installation with Power over Ethernet (PoE) makes the high performance, Ethernet ready EP1501 a top choice for a single-door controller.

Once configured, the intelligent controller functions independently of the host and can control access and manage sophisticated device processes (such as anti-passback and point linking) both onboard and downstream of the EP1501 without host intervention.

Offering powerful flexibility, the Mercury EP1501 can interface with an array of reader technologies for a single opening. The controller supports separate in/out readers and technologies: Wiegand, clock and data, RS-485, OSDP, magnetic stripe, F/2F, Supervised F/2F Readers, keypads, LCD, and biometrics.

The EP1501 provides the versatility and reliability needed to deliver powerful innovation for system success and at the system's edge when needed.

## Application Notes

The EP1501 seamlessly interfaces a single opening to a larger system (up to 17 openings) for easy expansion. Providing all of the intelligence and functionality of the Mercury family of controllers, the EP1501 is PoE capable and sets the standard for powerful, reliable performance, all at an economical price point for OEMs.

### Power Input:

PoE Power Input 12.95W, compliant to IEEE 802.3af or 12Vdc  $\pm 10\%$  900 mA maximum power supply.

**Power Output:** 12Vdc @ 650mA including reader and AUX output

### Reader Interface:

Reader Power: PoE: 12 Vdc $\pm 10\%$  or local power supply (12Vdc). (PTC limited 180mA max) Inputs: 2 general purpose programmable circuit type, and dedicated tamper

**Outputs:** 2 relays Form C, 2A @ 30Vdc

### Reader Ports:

Two TTL reader ports or one 2-wire RS-485 reader port capable of supporting two readers.

**Keypad:** Multiplexed with card data

**LED:** TTL compatible

**Buzzer:** Only with 'one-wire' LED

### Dimensions:

Without Bracket - 5.5" (140mm)W x 2.75" (70mm)L x 0.96" (24mm)H

With Bracket - 5.5" (140mm)W x 3.63" (92mm)L x 1.33" (34mm)H

**Temperature:** 0-70°C operational, -55-85°C storage

**Humidity:** 10-95% RHNC

### Connectivity

**Primary Port:** 10/100 Ethernet

### Door Control

One physical barrier can be controlled using single or paired readers. Two reader ports: Mag, Wiegand, or RS-485 (RS-485 on one reader port capable of supporting two readers.)

Two supervised inputs, two relays. Diagnostic LEDs. Dedicated tamper input.

### Access Control

- 240,000 Cardholders, 50,000 Transaction buffer.
- 32 Access Levels per cardholder.
- 19 digit (64-bit) UserId and 15 digit PIN numbers max..
- Activation/Deactivation Dates.
- If/Then Macro capability

### Card Formats:

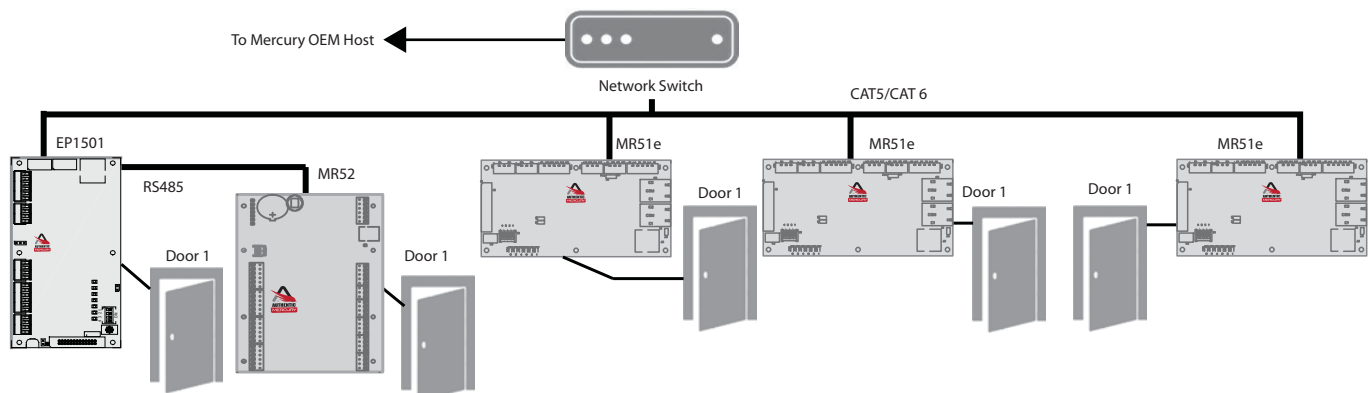
- 8 active card formats per EP1501. PIV-II, CAC, TWIC card compatible.
- Anti-passback support Nested area, hard, soft, or timed forgiveness.

### Alarm Management

- Normally open/Normally closed, unsupervised, supervised.
- Standard or custom end-of-line resistances.

### Standards:

UL 294 and UL 294B Recognized, CE Compliant, ROHS, FCC Part 15 Class A, NIST Certified Encryption



The Authentic Mercury open platform delivers quality assurance derived from the most proven and reliable hardware in the industry. Driven by our engineering excellence and technology leadership. Authentic Mercury hardware is designed as an access control platform that easily encompasses emerging technologies, changing industry standards and evolving system environments. Make yours Authentic, Make sure its Merc.